

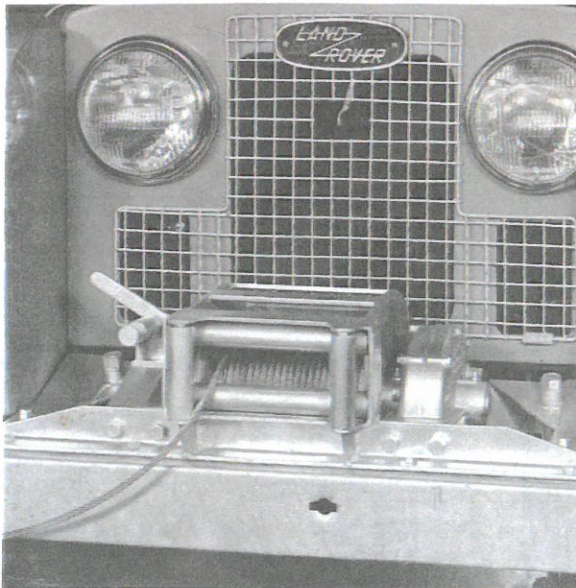
ALL NEW FOR LAND ROVER SERIES II AND IIA

COMPLETE ■ READY-TO-INSTALL ■ EASY-TO-INSTALL KING FRONT-MOUNT WINCHES

NOW
equipped with
**POWER
TAKE-OFF**

**FOUR SPEEDS FORWARD,
ONE SPEED REVERSE**

through the Land Rover transmission



Now, from Koenig, comes the finest front-mount winch ever developed for the Land Rover. Especially designed for the Series II and IIA, this Model L621 King Winch combines exceptional quality with unlimited versatility to provide Land Rover owners with a piece of winching equipment that will double the value, double the service of this outstanding four-wheeler.

In addition to the PTO drive that attaches to the transfer case, the King L621 offers many other important features including bronze-bushed 4-way cable guide rollers for safe, even spooling of the cable, a drum guard that keeps the cable from jumping the drum and eliminates line fouling, heavy-duty universal joints and drive line, and self-aligning bearing.

The King L621 is supplied in a complete kit, ready for immediate installation. Everything furnished including the winch assembly, power take-off, cable guide rollers, drum guard, drive shafts, universal joints, bearing, and all other mounting and driving parts. 150' of 5/16" cable is recommended.

Koenig

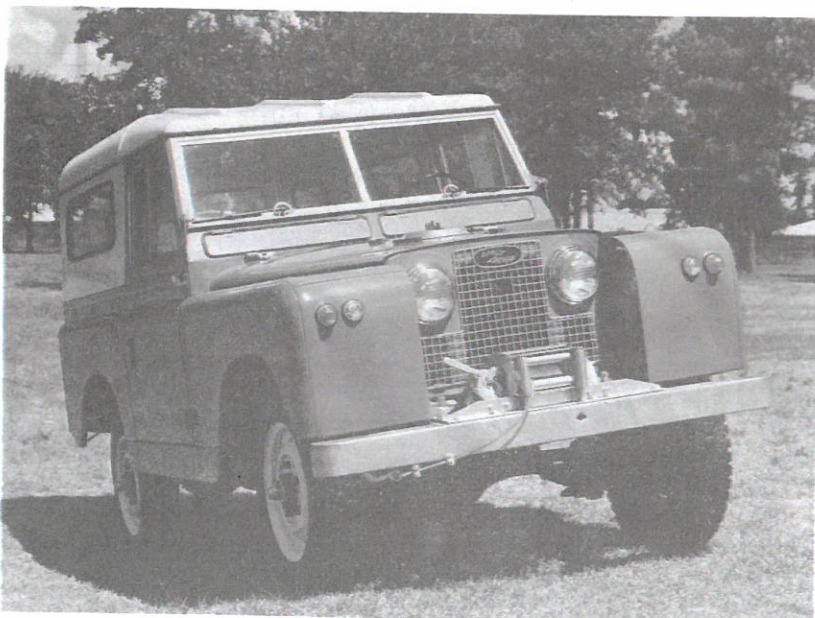
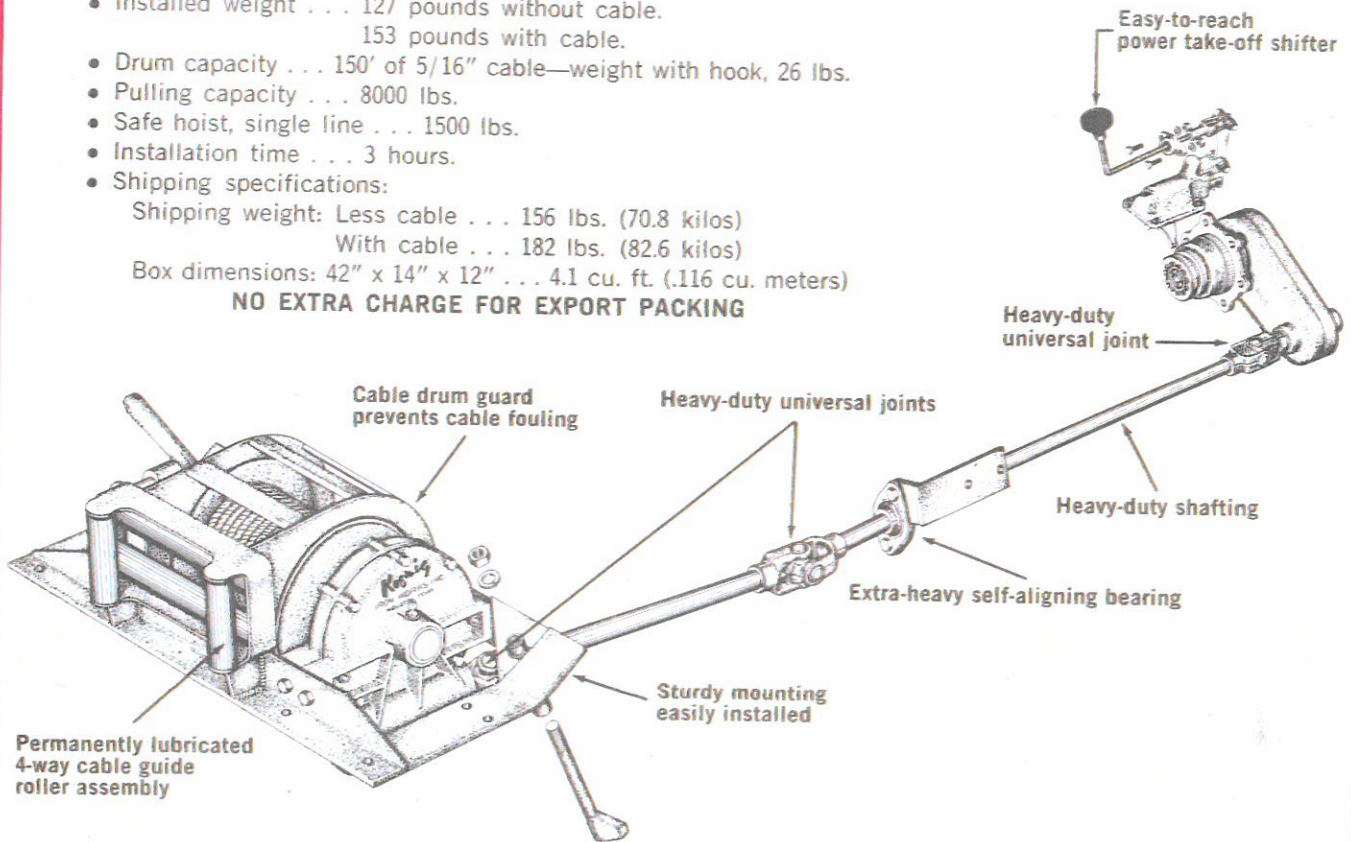
IRON WORKS, INC.

P. O. BOX 7726 • HOUSTON 7, TEXAS, U.S.A. • UN 9-3547

KOENIG L621 KING WINCH FOR LAND ROVER SERIES II AND IIA

SPECIFICATIONS

- Installed weight . . . 127 pounds without cable.
153 pounds with cable.
- Drum capacity . . . 150' of 5/16" cable—weight with hook, 26 lbs.
- Pulling capacity . . . 8000 lbs.
- Safe hoist, single line . . . 1500 lbs.
- Installation time . . . 3 hours.
- Shipping specifications:
Shipping weight: Less cable . . . 156 lbs. (70.8 kilos)
With cable . . . 182 lbs. (82.6 kilos)
Box dimensions: 42" x 14" x 12" . . . 4.1 cu. ft. (.116 cu. meters)
NO EXTRA CHARGE FOR EXPORT PACKING



A powerful winch for a powerful vehicle! Equipped with the King L621, this Land Rover is ready for action in the toughest terrain, ready for service on the most grueling jobs.

OTHER KING QUALITY FEATURES:

Strong, Lightweight Housing . . . of high-tensile-strength silicon aluminum.

Virtually Indestructible Free-Spooling Drum . . . fabricated from seamless steel tubing with stamped steel flanges.

High-Strength Shafting . . . worm and drum shaft of stress-relieved ground and polished stressproof steel . . . drum and drumshaft mounted on long-wearing bronze bearings.

Dependable, Long-Wearing Gearing . . . special high-quality hardened and ground steel worm and nickel-bronze ring gear, mounted on forged steel spider.

Koenig