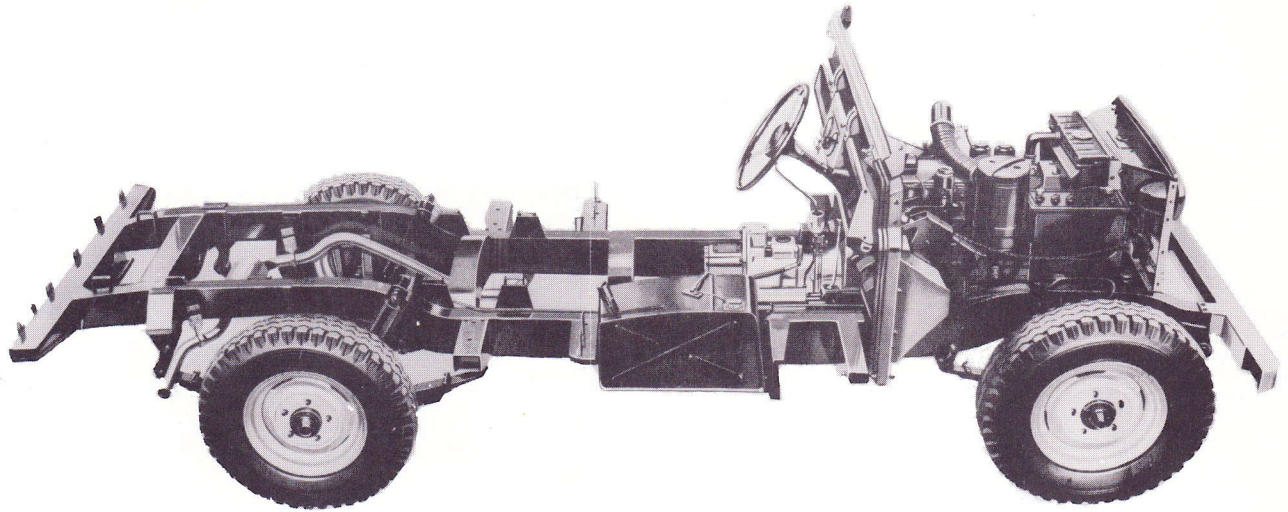


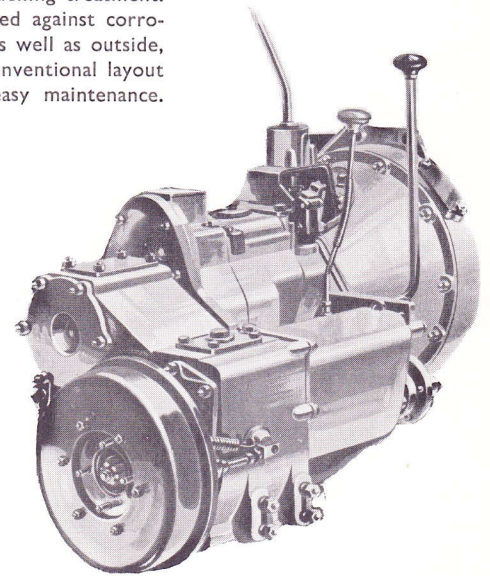
**BEST 4-WHEEL DRIVE
VEHICLE IN THE WORLD**

HEAVY BOX SECTION FRAME



- TWO CHASSIS LENGTHS AVAILABLE
109" or 88"
- GASOLINE OR DIESEL ENGINE
- 8 FORWARD SPEEDS—2 REVERSE
- 10 BODY STYLES
Truck, Van or Station Wagon
- ALUMINUM ALLOY NON-RUST BODY
- ALL FITTINGS GALVANIZED
- ALL METAL RUST-PROOFED
- FULLY FLOATING AXLES
- OIL BATH AIR CLEANER—*standard*
- FULL FLOW OIL FILTER—*standard*
- 3 POWER TAKE-OFF POINTS

Ruggedly constructed of welded steel box-section, the Land-Rover chassis will stand up to the most gruelling treatment. It is protected against corrosion inside as well as outside, while the conventional layout makes for easy maintenance.



The main gearbox has four forward speeds and one reverse. Additional ratios are provided by the transfer box so that in all, eight forward and two reverse speeds are available. Four-wheel drive can be engaged in high or low ratios.

There are some 350,000 LAND-ROVERS operating in 157 countries. They are used by 26 of the world's armies and 37 of its police forces. Fleets of LAND-ROVERS are purchased by large construction firms, oil companies, etc., for delivery all over the globe.

LAND-ROVERS are equipped with *full tool kits* and *6-ply tires* standard.

A powerful Kodiak heater is offered as an optional extra.

LAND-ROVER can be factory-equipped for special services. There are 108 pieces of optional attachments.

Fenders extend beyond radiator and lamps, thus affording protection. Door locks and gas tank filler caps are recessed.

Seats are standard equipment and are included in the price. Rear seats fold up.

THE ROVER MOTOR COMPANY OF NORTH AMERICA LIMITED

405 LEXINGTON AVE., NEW YORK 17, N.Y., U.S.A.

TELEPHONE: YUKON 6-0220

373 SHAW ROAD, SOUTH SAN FRANCISCO, CALIFORNIA

TELEPHONE: 761-0886

SPECIFICATION

PETROL ENGINE. Four cylinders. Overhead inlet and exhaust valves. Bore 90.49 mm. (3.562 in.), stroke 88.9 mm. (3.5 in.), capacity 2,286 c.c. (139.5 cu. in.). Maximum b.h.p. 77 at 4,250 r.p.m. Maximum torque 124 lb. ft. (17 mKg.) at 2,500 r.p.m. Compression ratio 7 to 1.

Cylinders. Monobloc, cast integral with crankcase.

Cylinder Head. Detachable, cast iron and carrying all valve gear.

Crankshaft. Forged steel three bearing. Fully balanced and with counterweights.

Main Bearings. Three, thin shell, steel-backed copper-lead. Thrust taken at centre bearing.

Camshaft. Forged steel. Four bearings, white metal lined, steel backed. Drive by Duplex roller chain. Chain tension maintained by self-adjusting jockey sprocket controlled by coil compression spring and oil pressure.

Pistons. Low expansion aluminium alloy, tin plated. Two compression rings, and one scraper ring. Fully floating gudgeon pins.

Connecting Rods. Forged steel with thin shell steel-backed copper-lead big-end bearings.

Ignition. Coil and battery, automatic advance. Battery 12v. 57 amp. hr.

Fuel Supply. 10-gallon (45 litres) tank under right-hand seat. Long Station Wagon—16 gallon (73 litres) located at rear of chassis.

Carburettor. Downdraught.

Air Cleaner and Silencer. Oil-bath type with built-in centrifugal pre-cleaner.

Cooling System. Pump and fan, thermostatically controlled. Capacity 17½ pints (9.95 litres.) Pressurised.

Lubrication. By pressure from gear-type pump forcing oil to all bearings, timing chain and valve gear. Full-flow oil filter. Capacity 11 pints (6 litres).

DIESEL ENGINE. 4 cylinders, bore 85.7 mm. (3.375 in.), stroke 88.9 mm. (3.5 in.), capacity 2,052 c.c. Maximum b.h.p. 51.2 at 3,500 r.p.m. Maximum torque 86 lb. ft. at 2,000 r.p.m. Compression ratio 22.5 : 1. Wet cast iron cylinder liners. Detachable cast iron cylinder head carrying all valve gear. Overhead valves operated by push rods. Copper-lead main and big-end bearings. Hydraulic timing chain tensioner. Roller type tappets. Tin-plated aluminium alloy pistons with trough cast in crowns.

Fuel System. Mechanical fuel lift pump. Fuel filter. C.A.V. D.P.A. injection pump with mechanical governor. Pintaux-type injection nozzles. Glow plugs for cold starting.

CLUTCH. Single dry plate, 9 in. (0.23 m.) diameter.

TRANSMISSION. Transmission to rear and front axles by open propeller shaft via two-speed transfer box.

GEARS. Four forward speeds and reverse. Two-speed transfer box in conjunction with main gearbox gives eight forward speeds and two reverse.

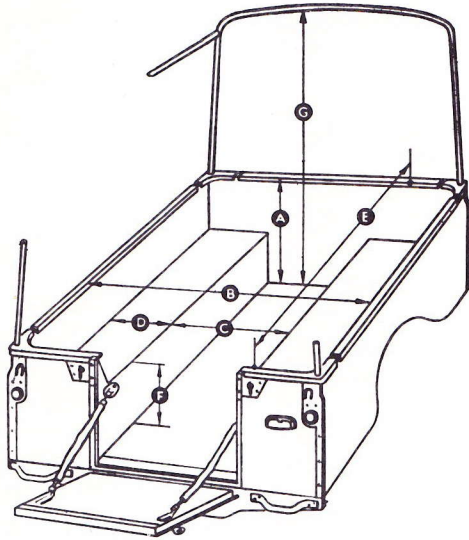
Ratios:	Main Gearbox	Transfer box	
		High Ratio	Low Ratio
First gear	...	16:171	40:688
Second gear	...	11:1026	27:742
Third gear	...	7:435	18:707
Top gear	...	5:396	13:578
Reverse gear	...	13:745	34:585

REAR AXLE. Fully floating, spiral bevel type. Ratio 4.7 : 1.

FRONT AXLE. Fitted with differential similar to rear axle. Drive to front wheels through totally enclosed universal joints.

BRAKES. Hydraulically operated foot brakes requiring light pedal pressure and infrequent adjustment. Mechanically actuated handbrake operates on transmission shaft to rear axle. 'Long' Land-Rovers have two leading shoes on front wheels.

STEERING. Worm and nut with recirculating ball; variable ratio 15.6 : 1 straight ahead, 23.8 : 1 full lock. Right- or left-hand steering as required.



CHASSIS. Side and cross members of box section forming exceptionally rigid assembly.

SPRINGS. Semi-elliptic front and rear. Telescopic type shock absorbers front and rear.

WHEELS. Detachable disc wheels. 6.00 × 16 tyres on 88 in. wheelbase 'Regular', 7.50 × 16 tyres on 109 in. wheelbase 'Long'. Optional sizes available.

MAXIMUM DRAW BAR PULL. 4,000 lb. (1,800 kg.).

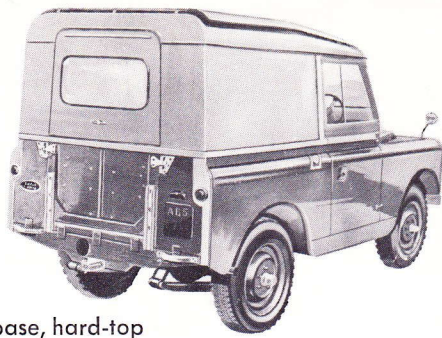
REAR POWER TAKE OFF. (At extra cost.) Drive through back of main gearbox to rear of chassis. Can be fitted to give pulley drive for threshers, chaff cutters, circular saws, etc., or shaft drive for power mowers, binders, combine harvesters, etc.

CENTRE POWER TAKE OFF. (At extra cost.) Arranged to drive (by V-belts) compressors, generators, crop-sprayers, and other portable equipment which can be mounted in the body.

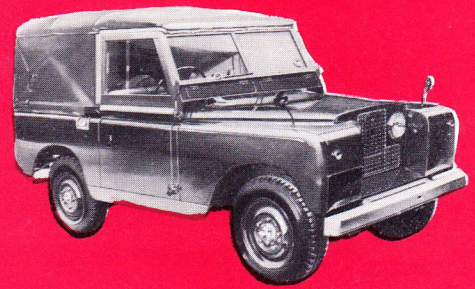
BODY. Body panels of non-corrodible light alloy, all external steel fittings heavily galvanised.

OVERALL DIMENSIONS	'REGULAR'		'LONG'	
	English	Metric	English	Metric
Wheelbase... ..	88 in.	2.23 m.	109 in.	2.77 m.
Track	51½ in.	1.31 m.	51½ in.	1.31 m.
Ground Clearance	8 in.	203 mm.	9½ in.	248 mm.
Turning Circle	38 ft.	11.58 m.	45 ft.	13.72 m.
Overall Length	142½ in.	3.62 m.	175 in.	4.44 m.
Overall Width	64 in.	1.63 m.	64 in.	1.63 m.
Overall Height (max.)	77½ in.	1.97 m.	81 in.	2.06 m.
INTERNAL DIMENSIONS				
Height of body sides A	19½ in.	495 mm.	19 in.	483 mm.
Body interior width between cappings B	56½ in.	1.44 m.	56½ in.	1.44 m.
Floor width between wheel boxes ... C	36½ in.	921 mm.	36½ in.	921 mm.
Width of wheel boxes D	13½ in.	349 mm.	13½ in.	349 mm.
Body interior length between cappings E	43 in.	1.09 m.	72½ in.	1.85 m.
Height of wheel boxes F	8 in.	216 mm.	9 in.	229 mm.
Height, floor to roof (max.) ... G	48½ in.	1.23 m.	48 in.	1.22 m.
PAYLOADS (with standard tyres)				
On the road	3 persons + 1,000 lb. (450 kg.)		3 persons + 2,000 lb. (900 kg.)	
In the rough	3 persons + 800 lb. (363 kg.)		3 persons + 1,800 lb. (816 kg.)	
WEIGHT				
In running trim with 5 gall. (22.5 litres) of petrol	lb.	kg.	lb.	kg.
	2,900	1,315	3,294	1,494

The Rover Company Limited reserves the right to alter specifications, colour, designs or prices without notice and without incurring any obligation. While every effort is made, in Rover literature, to provide information that is strictly up to date, no responsibility can be accepted for such alterations that occur after date of going to press. Persons dealing in the Company's goods are not the agents of the Company and have no authority whatsoever to bind the Company by any expressed or implied undertaking.

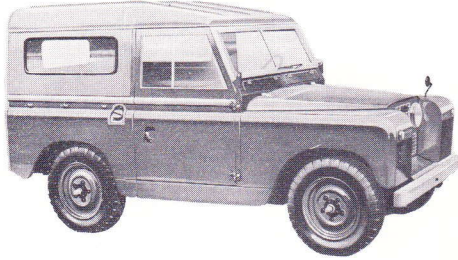


88" wheel base, hard-top



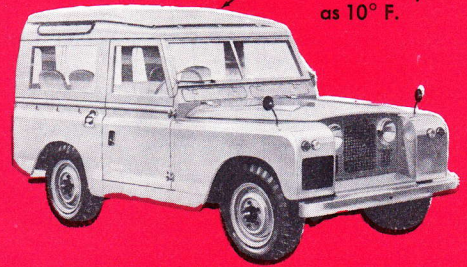
88" wheel base, full length hood

88" wheel base, hard-top with side windows

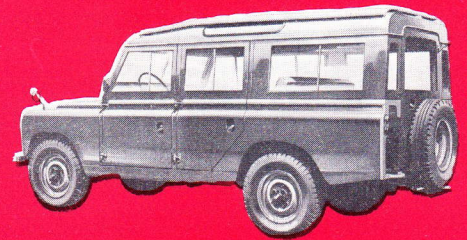


88" wheel base with truck cab

88" Land-Rover Station Wagon



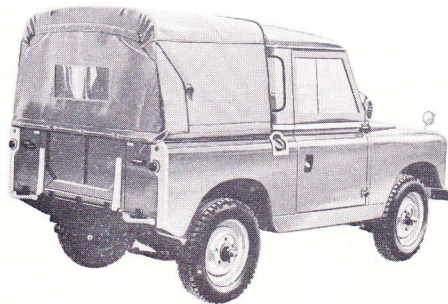
Heat shield roof — reduces temp. as much as 10° F.



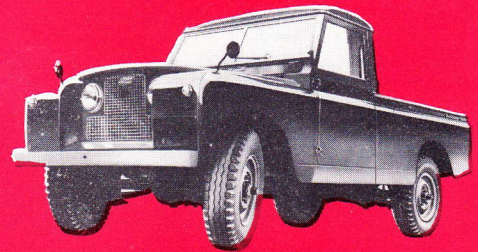
Note full length door

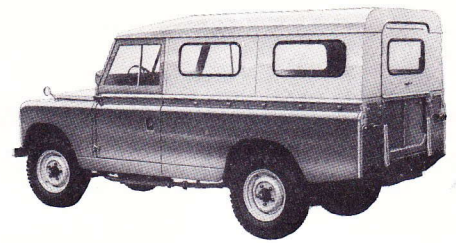
109" Land-Rover Station Wagon

88" wheel base with truck cab and three-quarter length hood



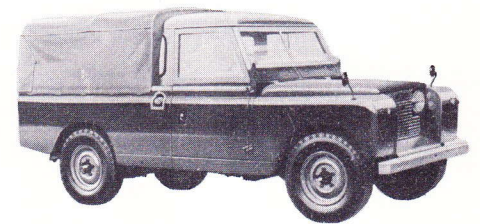
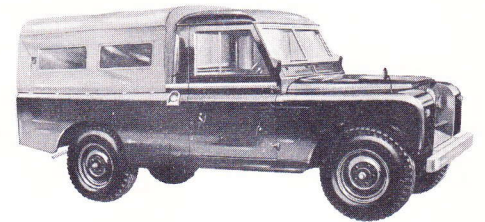
109" wheel base truck cab





109" hard-top with side windows

109" wheel base with $\frac{3}{4}$ length hood and side windows



109" wheel base with $\frac{3}{4}$ length hood

109" wheel base with full length hood and side windows

